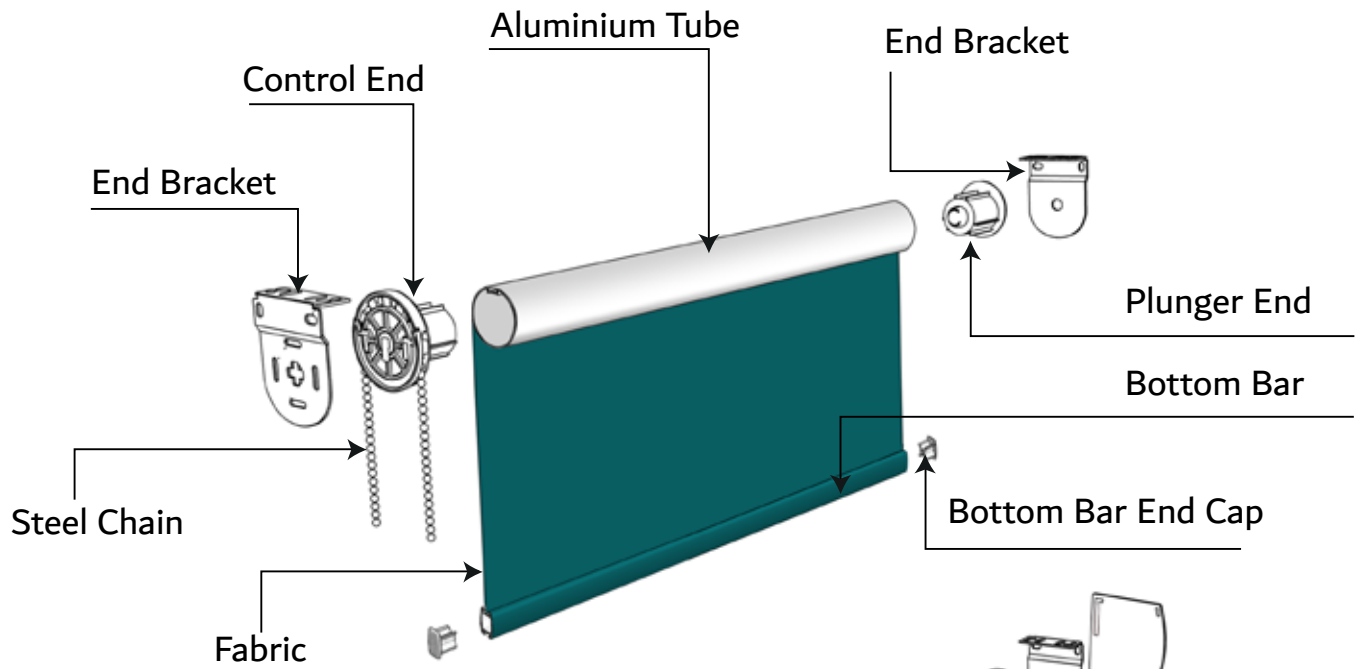




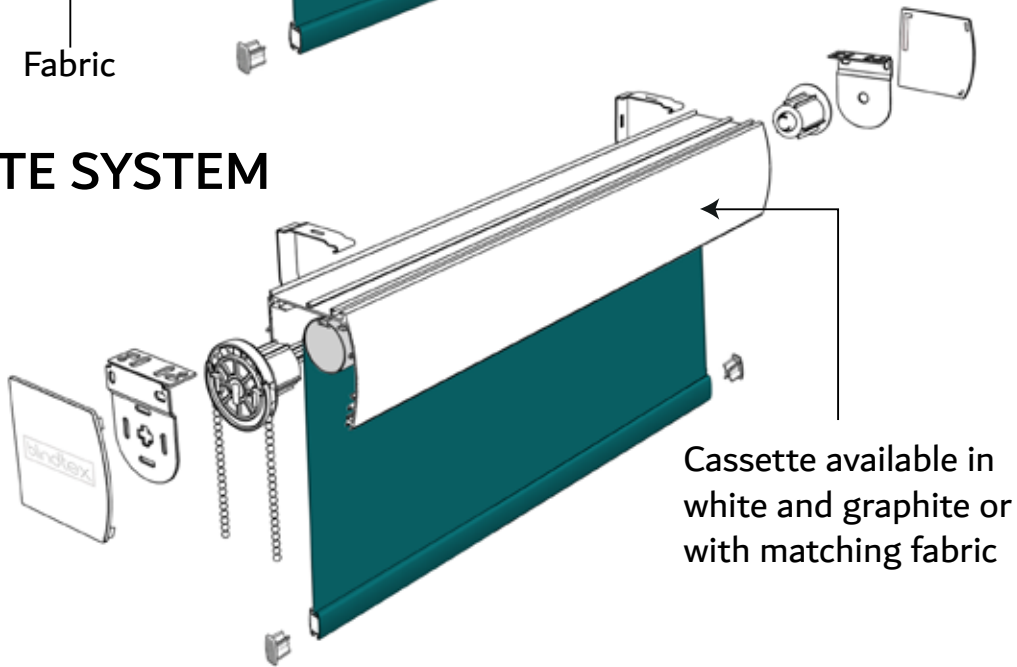
# ROLLER BLIND TECHNICAL DRAWING

Available In 3 Sizes  
Small | Medium | Large

## CLASSIC SYSTEM

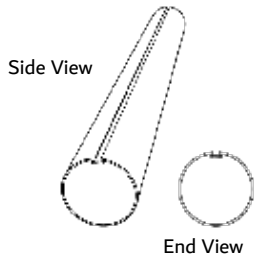


## CASSETTE SYSTEM



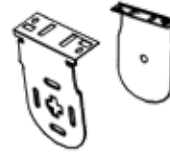
# ROLLER SYSTEM COMPONENTS

## Tube



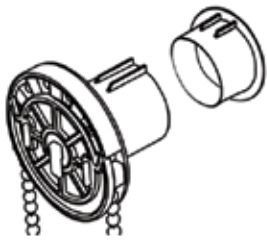
The design allows for full integration of the selected fabric and also provides maximum resistance to tube deflection.

## Brackets (metal)



White painted steel . The mounting brackets are designed to allow top, face or side fix installations. The bracket design enables quick and simple installation whilst minimising the light gap between the blind and any recess. Extension brackets are available if required. Brackets are colour keyed to operating system colour. Covers for the mounting brackets are available to suit each size.

## Control End / Plunger End



Side action control unit & plunger in engineered plastic. Unit locks into brackets. Clutch type suitable up to 9kg weight. Can be left or right control.

## Chain



Chain (Steel, Nickel Chrome Plated)

## Bottom Bar



1) Extruded PVC bottom bar in UPVC with 4 locking channels for fabrics & trims. 30mm x 16mm. Weight per linear meter - 200gm

2) Aluminium bottom bar

## Bottom Bar End Caps



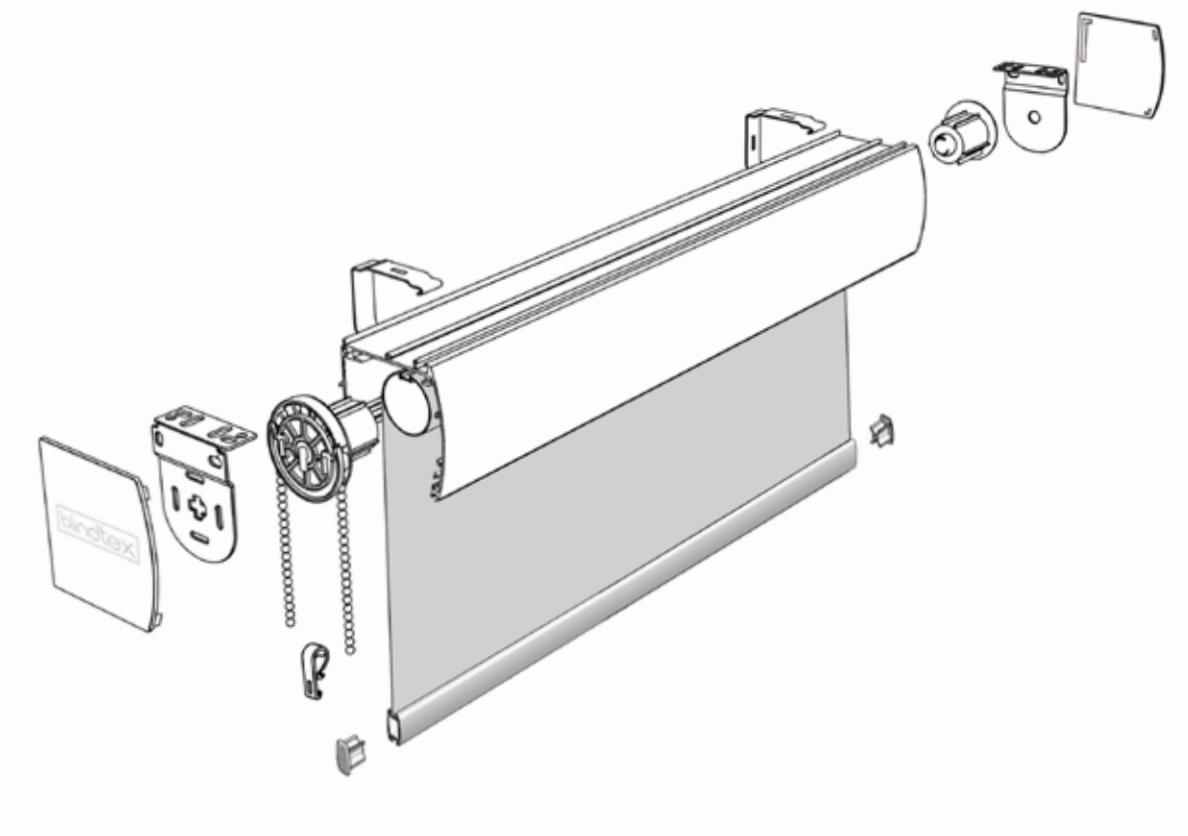
Co-ordinating end caps apply the appropriate finish to the bottom rail assembly.

## P Clip

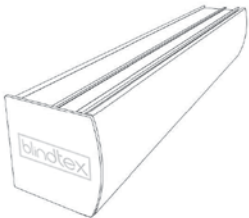


A P-Clip keeps the chain close to the wall which makes it hard for children to gain access to it and become entangled.

## CASSETTE SYSTEM

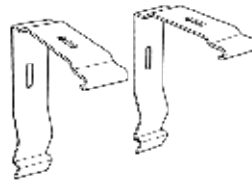


### Cassette System



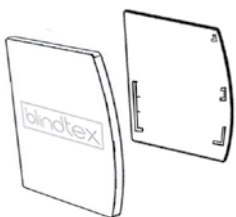
Cassette system, allows quick and easy mounting in either top fix or face position. Our patented design allows for reverse rolling and covering with matching or contrasting fabric.

### Mounting Brackets



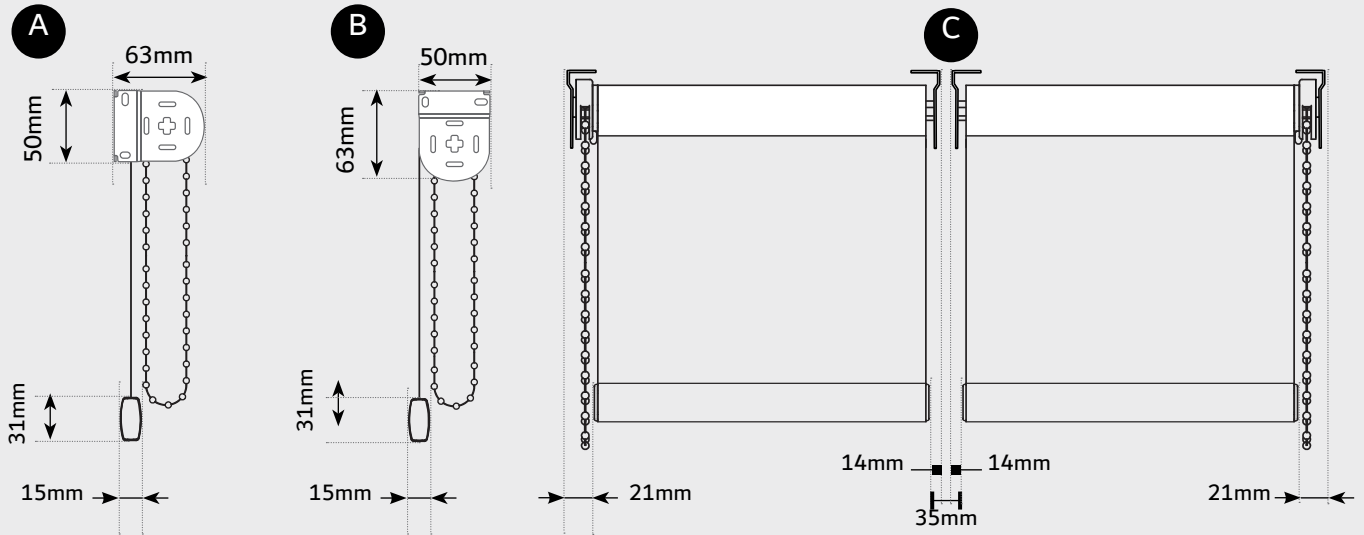
Stove enamelled finish to galvanized steel. The mounting brackets are designed to allow top, face or side fix installations. The bracket design enables quick and simple installation whilst minimizing the light gap between the blind and any recess.

### Plastic End Cap



## BRACKET DIMENSIONS

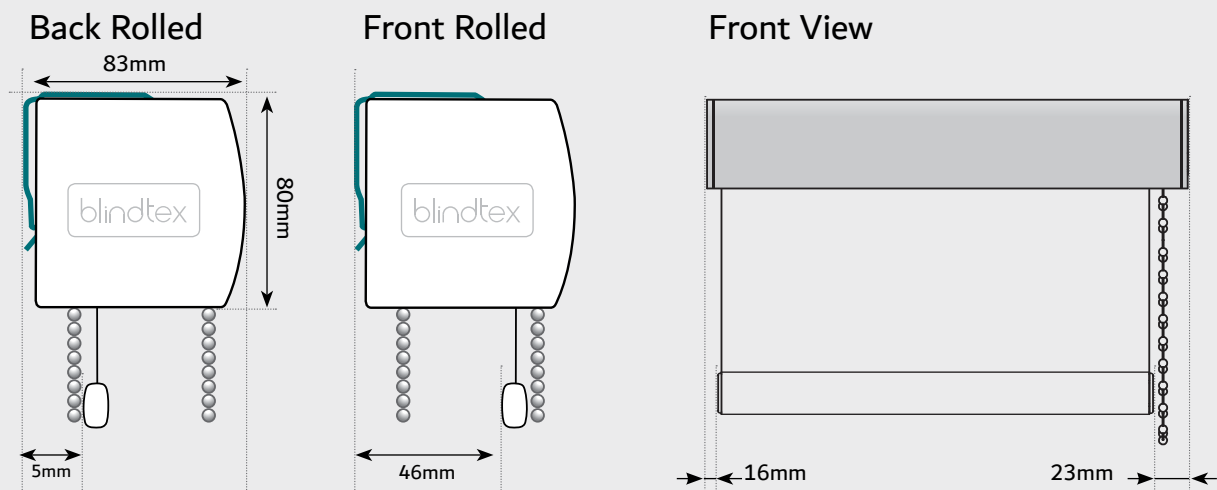
### Classic System Small



- A. System Small Extended Metal Bracket Face Fix
- B. System Small Extended Metal Bracket Top Fix
- C. System Small Extended Metal Bracket Top Fix Double Blinds

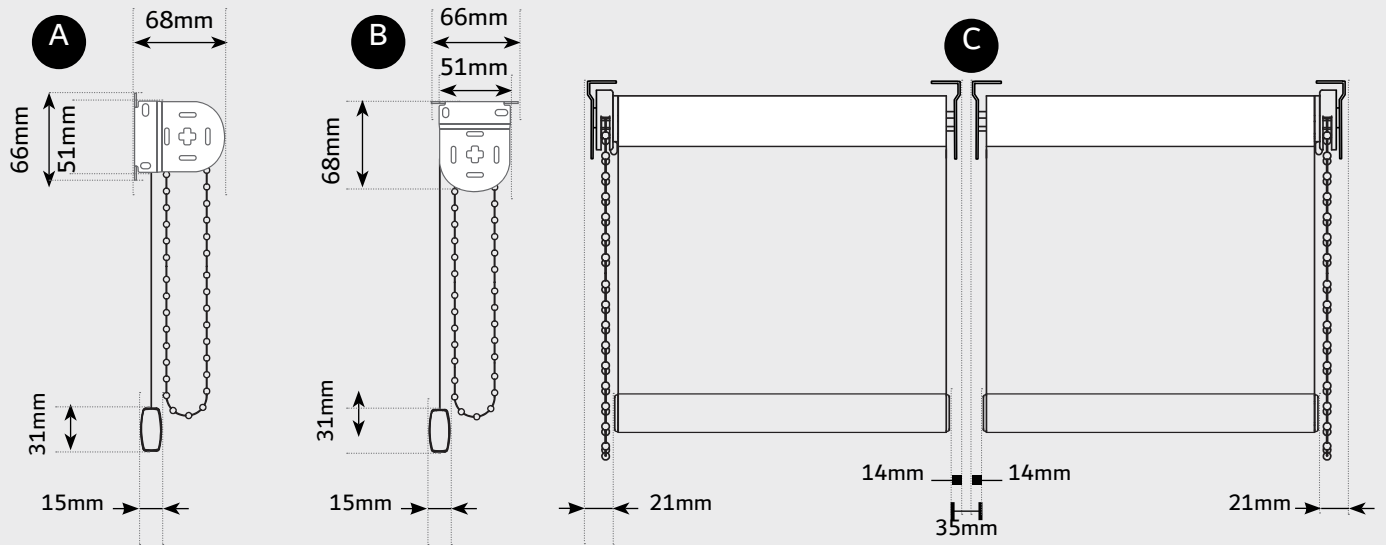
## CASSETTE DIMENSIONS

### Cassette System Small



## BRACKET DIMENSIONS

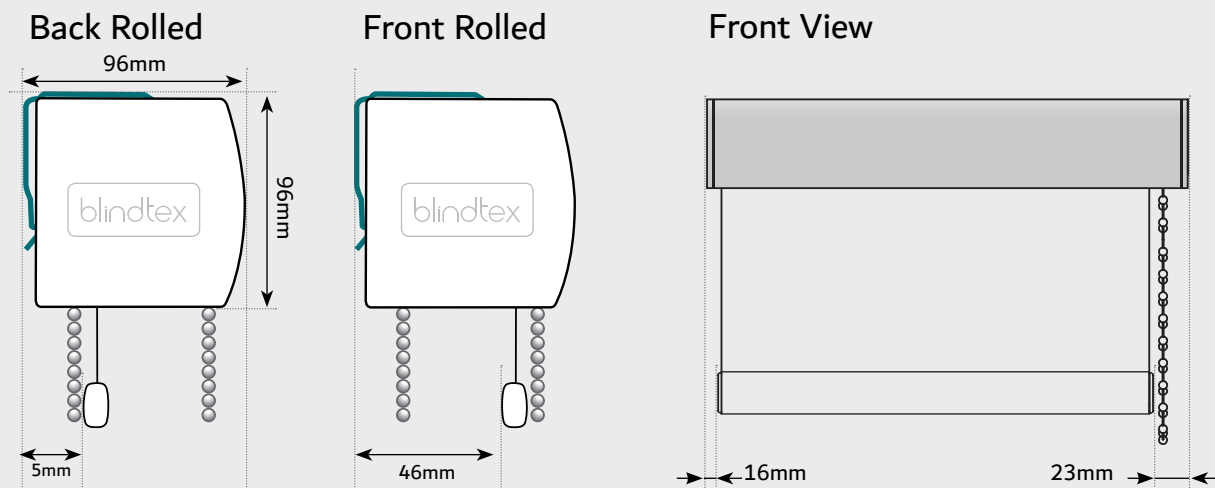
### Classic System Medium



- A. System Medium Extended Metal Bracket Face Fix
- B. System Medium Extended Metal Bracket Top Fix
- C. System Medium Extended Metal Bracket Top Fix Double Blinds

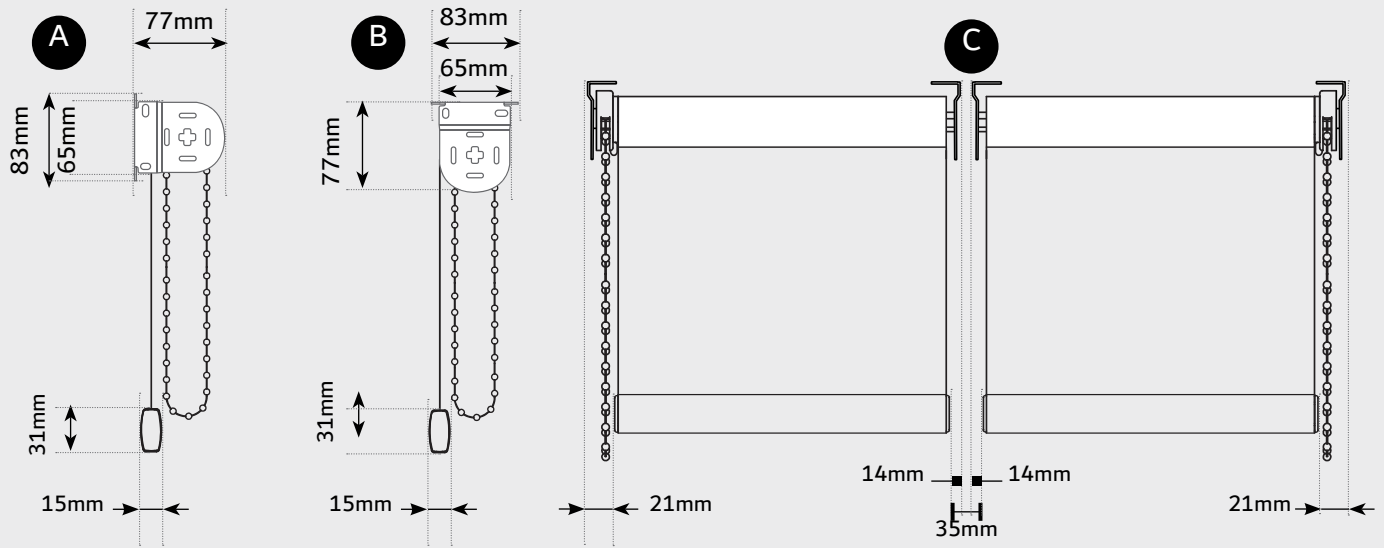
## CASSETTE DIMENSIONS

### Cassette System Medium



## BRACKET DIMENSIONS

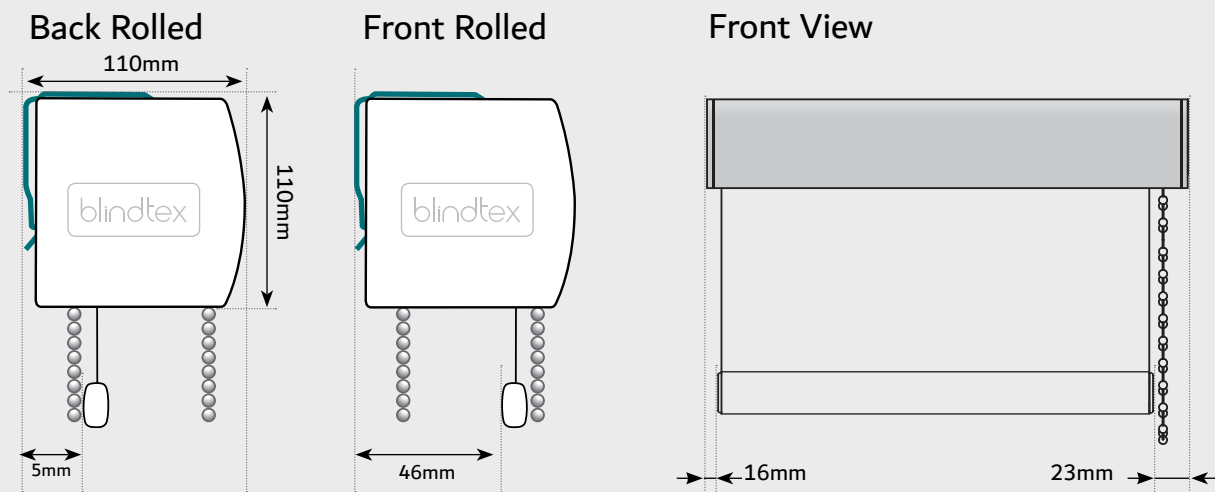
### Classic System Large



- A. System Large Extended Metal Bracket Face Fix
- B. System Large Extended Metal Bracket Top Fix
- C. System Large Extended Metal Bracket Top Fix Double Blinds

## CASSETTE DIMENSIONS

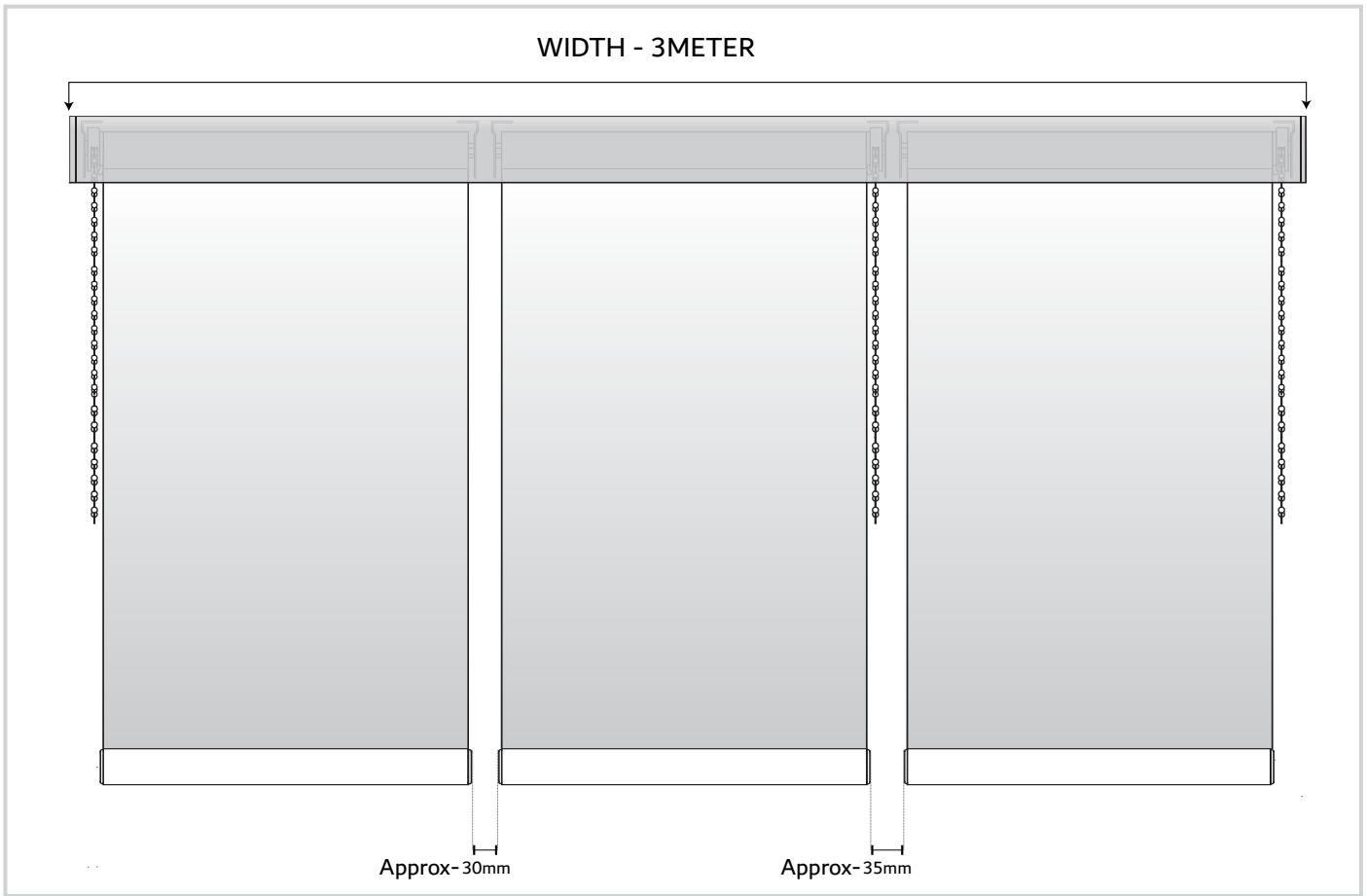
### Cassette System Large



**Note:** We are using three system sizes. If ordering different size blinds in the same room they may require different size systems. In such a situation by default we will make all blinds on the largest blind system required for that room only. It must be mentioned at the time of order if you do not wish to follow this rule. Or if you want all rooms to be made in the largest system.



## MULTIPLE BLINDS IN ONE CASSETTE



## TUBE/CASSETTE/WINDER/MOTOR, COMPATIBILITY CHART

Tube/Mechanism	Side Winder			Battery Motor				Wirred Motor					
	Small	Medium	Large	Blindtex Small	Blindtex Medium	Blindtex Large	Somfy Sonesse 30	Blindtex Medium	Blindtex Large	Somfy Optuo 40	Somfy Sonesse 40	Somfy Sonesse 50	Somfy Altus 52
32mm Single Slot	*			*									
38mm Double slot		*		*									
45mm Triple Slot Tube			*		*								
40mm Triple Octagonal						*	*	*		*	*		
57mm Triple								*	*			*	*
<b>Cassette</b>													
Small	*												
Medium		*		*			*			*	*	No Cassette Compatible	No Cassette Compatible
Large			*		*	*	*	*	*	*	*		



We have options when using cassette, it is possible and sometimes more practical to use a larger cassette on larger fabric drops to accommodate the packing of the fabric.



Blindtex **UK**  
4B Wigan Road  
Bolton  
Lancashire  
BL3 5PZ  
**Tel:** 0161 818 9915  
**Email:** sales@blindtex.co.uk  
**Web:** www.blindtex.co.uk

Blindtex **UAE**  
Area M6 - 10  
SAIF Zone Sharjah – United Arab Emirates  
**Tel:** +971 65578051  
**Email:** sales@blindtex.com  
**Web:** www.blindtex.com



A BRAND OF INNOV8 PRODUCTS