

# CASSETTE SYSTEM 32

Roller - Roman - Duplex - Sheer Horizon

## FITTING GUIDE

### Tools Required



Pencil



Drill



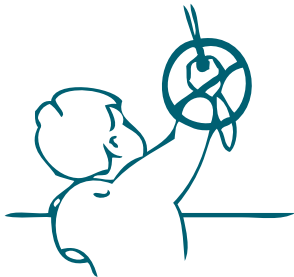
Screw driver



Tape Measure



### Child Safety



Young children can be strangled by loops in pull cords, chains, tapes and inner cords that operate the product. To avoid strangulation and entanglement, keep cords out of the reach of young children.

Cords may become wrapped around a child's neck. Move beds, cots and furniture away from window covering cords.

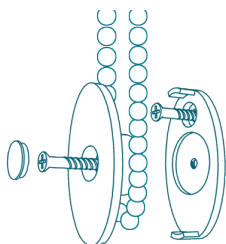
Do not tie cords together. Make sure cords do not twist and create a loop.

### Safety Device

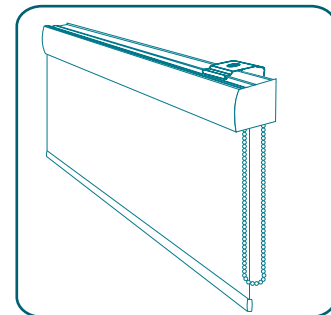
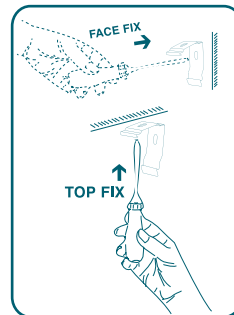
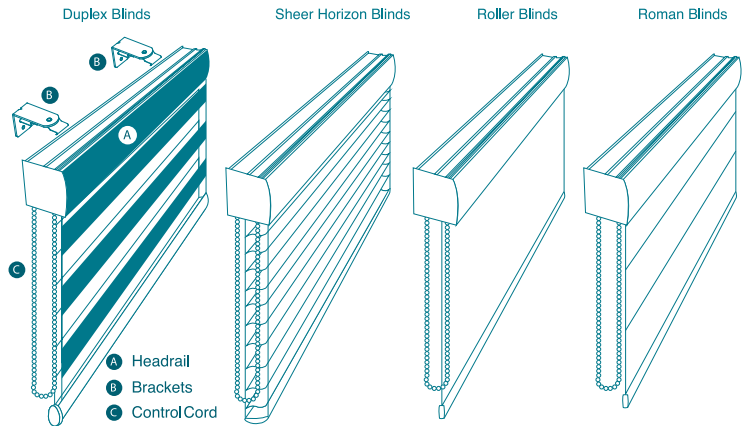
Children can strangle if this safety device is not installed. Always use this device to keep cords or chains out of reach of children.

### Fitting the Safety Device

- 1: Keeping both parts of the device clamped together around the chain remove the red connector.
- 2: Making sure the chain is fully taut vertically, Mark a hole using the center of the device as a guide.
- 3: Separate the device and re-align the mark with the center of the device and mark the position of the second hole above the center hole.
- 4: Screw through the top hole securing the inner part of the device to the wall. (Use wall plugs if necessary)
- 5: Secure the outer part of the safety device with the chain wrapped around the center by screwing through the middle section, ensuring both parts fit tight together.

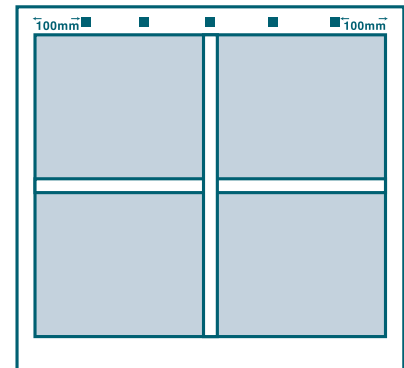


### Cassette System



### Preparation:

1. Confirm the location of the brackets on the window. Options are: Top fix or face fix as shown in the image.
2. Fix the first two brackets 100mm from either end of the window frame or wall and spread the remainder of the brackets supplied evenly across the width of the window.



Please ensure any objects like handles are taken into account when installing the brackets.

### Fitting the cassette

After fixing the brackets into place, hook the front ridge of the headrail into the front of the top clip, then push the cassette up until the back ridge slides in and clips to the back of the top clip.